

**CITY OF YORK COUNCIL  
SUMMONS**

**(REVISED VERSION)**

All Councillors, relevant Council Officers and other interested parties and residents are formally invited to attend an Annual Meeting of the **City of York Council** at the **Guildhall, York**, to consider the business contained in this agenda on the following date and time

Thursday, 22 May 2008 at 11.00 am

## **A G E N D A**

**1. Declarations of Interest**

At this point Members are asked to declare any personal or prejudicial interests they may have in the business on this agenda.

**2. Appointment of Lord Mayor**

To appoint a Lord Mayor for the Municipal Year 2008/2009.

**3. Appointment of Sheriff**

To appoint a Sheriff for the Municipal Year 2008/2009.

**4. Appointment of Deputy Lord Mayor**

To appoint a Deputy Lord Mayor for the Municipal Year 2008/2009.

**5. Allocation to Seats and Appointments to the Executive, Committees and Other Bodies 2008/2009 (Pages 3 - 72)**

To receive a report which asks Council to:

- a) Appoint the Executive Leader, Deputy Leader and members of the Executive and Shadow Executive for the Municipal Year 2008/2009 and approve their portfolios (Annex A);
- b) Agree arrangements for the distribution of places on Member bodies associated with the City of York Council, in accordance with Section 15 of the Local Government and Housing Act 1989 (Annex B);
- c) Appoint the Chairs, Vice-Chairs and membership of the Council's Committees, Boards and other Member bodies, including any partnership arrangements and representatives on Outside Bodies, for the Municipal Year 2008/2009 (Annex C).
- d) Approve the list of Standing Conferences which Members with specific responsibilities are entitled to attend and claim expenses (Annex D).

**\*Note:** *At the time this agenda was originally published, some of the annexes to the above report were incomplete because the political Groups were still in discussion regarding their nominations for membership of the relevant bodies. The agenda was re-published on 16 May 2008 to include updated versions of Annexes A, B and C.*

## **6. Urgent Business**

To consider any business brought before the Council by the Lord Mayor on the grounds of urgency, in accordance with the provisions of the Local Government Act 1972.

### **Contact Details DS**

Democratic Services Manager

Dawn Steel

Tel: 01904 551030

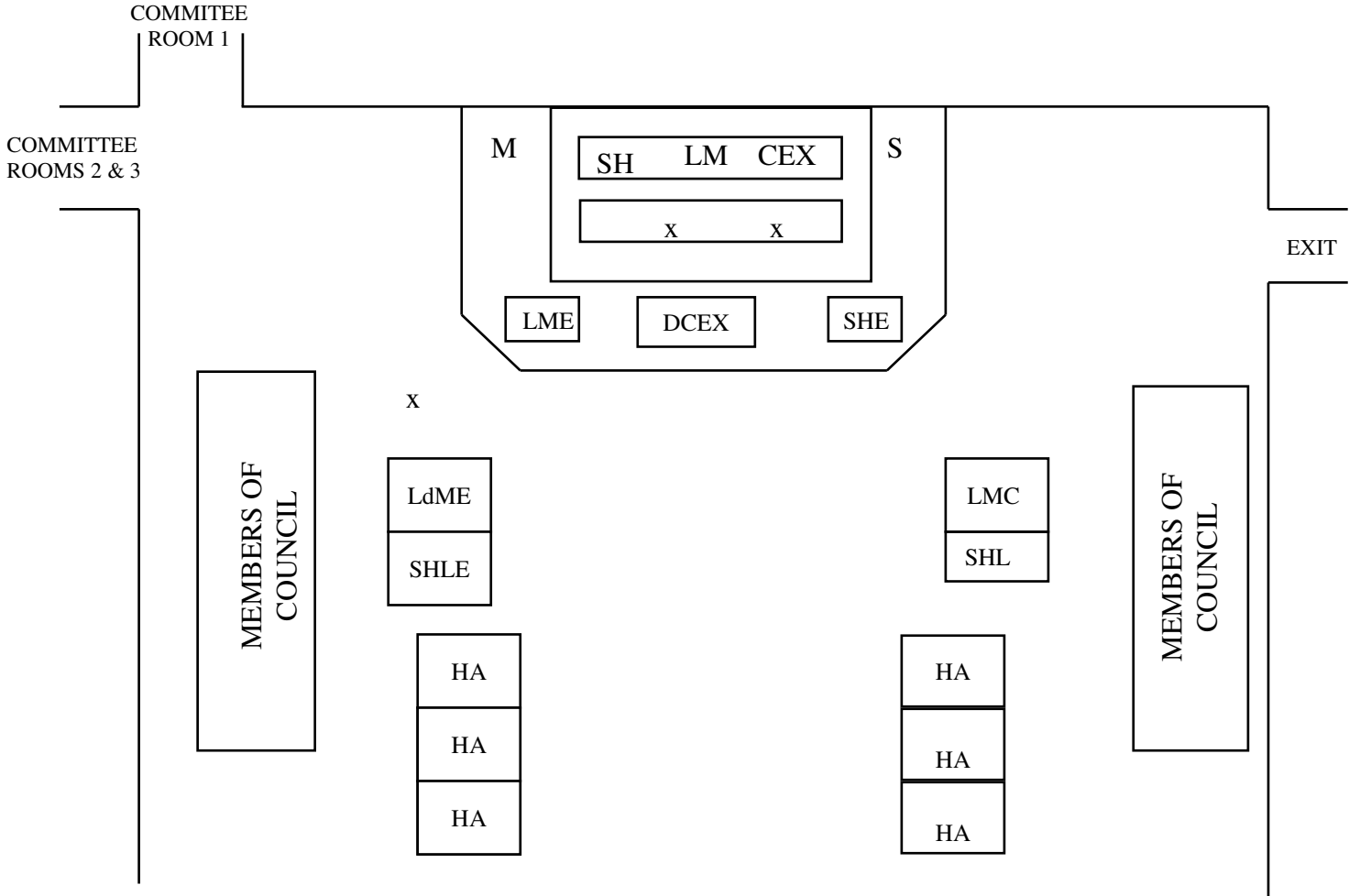
Email: dawn.steel@york.gov.uk

For more information about any of the following please contact the Officer responsible for servicing this meeting:

- Registering to speak
- Business of the meeting
- Any special arrangements
- Copies of reports

Contact details are set out above.

This page is intentionally left blank



- LM - Lord Mayor
- LMC - Lord Mayor's Consort
- SH - Sheriff
- SHL - Sheriff's Lady
  
- LME - Lord Mayor Elect
- LdME - Lady Mayoress Elect
- SHE - Sheriff Elect
- SHLE - Sheriff's Lady Elect
  
- CEX - Chief Executive
- DCEX - Deputy Chief Executive
  
- HA - Honorary Alderman
- S - Sword Bearer
- M - Mace Bearer
  
- X - Microphones

This page is intentionally left blank



---

## Annual Council Meeting

22 May 2008

### Report of the Head of Civic, Democratic and Legal Services

## Allocation to Seats and Appointments to Executive, Committees and Other Bodies 2008/9

### Summary

1. At its Annual General Meeting, Full Council considers the allocation to seats on Committees and other bodies every year and appoints an Executive (including Executive/Council Leader) together with other Committees and bodies which it wishes to establish for the coming Municipal Year.

### Background

2. Every year, Full Council makes the appointments and allocates those places on Committees etc. it wishes to set up, as referred to below:
  - Allocation of places on Committees/bodies in accordance with the political proportionality requirements under the 1989 Local Government & Housing Act and commensurate with the 2000 Local Government Act introducing executive arrangements;
  - Establishment of an Executive with Executive/Council Leader;
  - Agreement of Executive portfolio areas for individual Executive Members;
  - Appointment of Members to Committees, outside & partnership bodies etc..
3. In addition, Full Council approves a Standing List of Conferences at its Annual Meeting. These being those conferences which key or relevant named Executive or other Members are deemed automatically entitled to attend and for which their expenses will be reimbursed.

### Appointment of an Executive and Executive/Council Leader

4. Under agenda item 5(a), Full Council is asked to appoint an Executive and Executive Leader. Annex A to this report gives two alternative options for forming an Executive and Shadow Executive:

(1) Liberal Democrat Group (20 Council Members) to form the Executive, with a proposal for Councillor Waller to be

Executive Leader. Under this option, a Shadow Executive to be formed by the Labour Group (18 Council Members);  
(2) Labour Group to form the Executive, with a proposal for Councillor Scott to become Executive Leader. Under this option, a Shadow Executive to be formed by the Liberal Democrat Group.

5. Members will be asked to vote for one of the above two options at the Annual Council Meeting, without debate.

### **Allocation of Seats**

6. Under agenda item 5(b), full Council is asked to apply proportionality to available seats in accordance with the legal requirements identified in paragraph 2 above and to consider applying proportionality to the remaining bodies it chooses to set up, in accordance with previous practice. Details are contained in Annex B to this report.

### **Appointments to Committees, Working Groups, Outside & Partnership Bodies**

7. Under agenda item 5(c), Full Council is asked make appointments to those Committees and other bodies set out in Annex C. At the time of writing this report, it is not clear whether the Labour Group will wish to nominate some alternative Labour Chairs/Vice-Chairs to certain Committees, in the event of their Group forming an Executive. If the Labour Group do indeed nominate such alternative Chairs/Vice-Chairs, it will be clearly indicated on Annex C.

### **Standing List of Conferences**

8. Under agenda item 5(d), Full Council is asked to approve the list of Standing Conferences to which Members with specific responsibilities (eg. Executive Member) are entitled to attend and claim expenses. Full details are set out in Annex D.

### **Consultation**

9. In accordance with the usual processes for gathering nominations to available places at the Annual Council Meeting, all party Groups have been consulted on and provided with the necessary information on available places.

### **Options**

10. Options open to the Council are:
  - a. to approve the proportionality arrangements set out in Annex B or not;
  - b. to establish an Executive with Executive Leader based on either of the proposed options set out in paragraph 4 above;



- c. to make the appointments to Committees and other bodies set out in Annex C or propose alternatives;
- d. to approve the Standing List of Conferences or not.

### **Corporate Priorities**

11. Establishing an Executive and Executive Leader together with an appropriate decision making and scrutiny structure, contributes to the Council's Corporate Value relating to establishing strong Council leadership.

### **Implications**

12. There are no known implications in relation to the following in terms of dealing with the specific matter before Members, namely to consider the allocation of seats and places and the nominations to the Executive, Executive Leader and other bodies :

- **Financial**
- **Human Resources (HR)**
- **Equalities**
- **Crime and Disorder**
- **Property**
- **Other**

### **Legal Implications**

13. The Council is statutorily obliged to consider its proportionality on committees and other relevant bodies and make appropriate appointments at its Annual Meeting, including considering whether to appoint an Executive and Executive Leader.

### **Risk Management**

14. In compliance with the Council's risk management strategy, there are no known risks associated with the recommendations of this report, other than the failure to meet the above legal requirements and the risk of a Council operating with no agreed political management arrangements (in the form of a decision making and scrutiny structure) should Annual Council fail to make any such arrangements.

### **Recommendations**

15. Members are asked to consider the annexes attached to this report and agree the necessary proportionality arrangements for allocation to seats, together with proposals to form an Executive, appoint an Executive Leader and approve appropriate nominations to Committees and other bodies.

### **Reason:**

To fulfil the Council's statutory requirements.

**Contact details:**

**Author:**

Dawn Steel  
Democratic Services Manager  
Tel: 01904 551030

**Chief Officer Responsible for the report:**

Quentin Baker  
Head of Civic, Democratic and Legal Services

**Report Approved**

**Date** 13.05.08

**Specialist Implications Officer(s)** None

**Wards Affected:**

**All**

**For further information please contact the author of the report**

**Annexes**

**Annex A** - 2 options for forming an Executive/Shadow Executive 2008/9

**Annex B** - Allocation of seats 2008/9

**Annex C** - Appointments to Committees and other bodies 2008/9

**Annex D** - Standing List of Conferences.

**Background Papers**

None.

## City of York Council

## Executive 2008/2009 – Liberal Democrat

Portfolio	Executive Member	Substitute
Leader (incorporating Economic Development and Community Safety)	Waller	Any Executive Member
Corporate Services	Jamieson-Ball	Any Executive Member
City Strategy	Galloway Steve	Any Executive Member
Children & Young People's Services	Runciman (Deputy Leader)	Any Executive Member
Leisure, Culture & Social Inclusion	Vassie	Any Executive Member
Housing & Adult Social Services	Galloway Sue	Any Executive Member
Neighbourhood Services	Reid	Any Executive Member

This page is intentionally left blank

## ANNEX A (Option 1)

## Shadow Executive 2008/2009 - Labour

Portfolio	Shadow Executive Member
Leader (incorporating Economic Development and Community Safety)	Scott
Neighbourhood Services	King
Corporate Services	Gunnell
City Strategy	Potter (Deputy Group Leader)
Children & Young People's Services	Merrett
Leisure, Culture & Social Inclusion	Looker
Housing & Adult Social Services	Simpson-Laing

This page is intentionally left blank

## City of York Council

## Executive 2008/2009 – Labour

Portfolio	Executive Member	Substitute
Leader (incorporating Economic Development and Community Safety)	Scott	Any Executive Member
Corporate Services	Gunnell	Any Executive Member
City Strategy	Potter (Deputy Leader)	Any Executive Member
Children & Young People's Services	Merrett	Any Executive Member
Leisure, Culture & Social Inclusion	Looker	Any Executive Member
Housing & Adult Social Services	Simpson-Laing	Any Executive Member
Neighbourhood Services	King	Any Executive Member

This page is intentionally left blank



## ANNEX A (Option 2)

## Shadow Executive 2008/2009 – Liberal Democrat

Portfolio	Shadow Executive Member
Leader (incorporating Economic Development and Community Safety)	Waller
Neighbourhood Services	Reid
Corporate Services	Jamieson-Ball
City Strategy	Galloway, Steve
Children & Young People's Services	Runciman (Deputy Group Leader)
Leisure, Culture & Social Inclusion	Vassie
Housing & Adult Social Services	Galloway, Sue

This page is intentionally left blank

## Allocation of Seats on Committees, Sub-Committees, Boards and Working Groups Between Political Groups 2008/2009

Note:

*Seats in relation to the meetings below have been allocated between groups by agreement and in accordance with the rules on political balance contained within the Local Government and Housing Act 1989. Under the Local Government Act 2000, neither the Executive nor Shadow Executive are subject to proportionality requirements.*

	Total	Lib Dem	Labour	Green	Con
<b>Executive Function</b>					
Executive	9				
Shadow Executive	9				
Staffing Matters & Urgency Committee Chair – Leader of Council	5	2	2	0	1
Strategic Policy Panel	11	5	4	1	1
<b>Executive Member Advisory Panels (EMAPS)</b>					
Corporate Services EMAP Chair-Con, VC-Lab	5	2	2	0	1
City Strategy EMAP Chair-Con, VC-Green	8	3	3	1	1
Children & Young People's Services EMAP Chair- Lab, VC-Con	8	3	3	1	1
Housing & Adult Social Services EMAP Chair-LD, VC-Lab	8	3	3	1	1
Neighbourhood Services EMAP Chair-Lab, VC-LD	8	3	3	1	1
Leisure, Culture & Social Inclusion EMAP Chair- Lab, VC-Con	5	2	2	0	1
<b>Quasi – Judicial/Regulatory Function</b>					
	Total	Lib Dem	Labour	Green	Con
Planning Committee Chair-LD, VC-Lab	16	6	6	1	3
East Area Sub-Committee Chair-LD, VC-Lab	10	4	4	1	1
West Area & City Centre Sub-Committee Chair-Lab, VC-LD	9	4	3	0	2
Standards Committee	4	1	1	1	1
Independent Members Appointment Panel (standards)	2	1	1	0	0
Audit & Governance Chair-Lab, VC-Con	7	3	3	0	1
Licensing & Regulatory Committee Chair-Con, VC-LD	5	2	2	0	1
Gambling & Licensing Acts Committee Chair-Lab, VC-Con	15	7	5	2	1
Personnel Appeals Panel	3	1	1	0	1
Housing Appeals Panel	3	1	1	0	1

Education Appeals Panel	3	1	1	0	1
Environment Appeals Panel	3	1	1	0	1

### Scrutiny Function

	Total	Lib Dem	Labour	Green	Con
Scrutiny Management Committee Chair-Con, VC-Lab	8	3	3	1	1
Education Scrutiny Committee Chair-LD, VC-Con	7	3	3	0	1
Health Scrutiny Committee Chair-Lab, VC-LD	7	3	3	0	1
*Traffic Congestion Ad-Hoc Scrutiny Committee	7	3	3	0	1
*Barbican Ad Hoc Scrutiny Committee	6	2	2	1	1
*Cultural 'Quarter' Ad-Hoc Scrutiny Committee	6	2	2	1	1

\* Chairs to be determined by SMC

### Executive Working Groups

*Note:*

*Seats on the working groups and partnership bodies below are not subject to the rules on political balance contained within the Local Government and Housing Act 1989. However seats on these bodies have been provisionally allocated on a proportional basis in accordance with Council's previous agreement.*

	Total	Lib Dem	Labour	Green	Con
Social Inclusion Working Group Chair – Executive Member for Social Inclusion	5	2	2	0	1
Local Development Framework Working Group Chair – Executive Member for City Strategy	10	5	3	1	1
Young People's Working Group Chair –	6	3	3	0	0
Admin Accommodation Steering Group	3	1	1	0	1

### Partnership Bodies

	Total	Lib Dem	Labour	Green	Con
<b>Joint Working – Strategic Partnerships</b>					
Without Walls Partnership	3	1	1	0	1
Without Walls Partnership – Executive Delivery Board	1	1	0	0	0
York Environment Partnership	1	1			
Healthy City Board	3	1	1	0	1
Inclusive York Forum	2	1	1	0	0
Lifelong Learning Partnership Board*	1				

Safer York Partnership*	1				
<a href="#">York@Large</a>	1	1			
Economic Development Partnership	3	1	1		1
	<b>Total</b>	<b>Lib Dem</b>	<b>Labour</b>	<b>Green</b>	<b>Con</b>
Active York	1	1			
Yor OK Board	2	1	1	0	0
City Centre Partnership Board	3	1	1	0	1
York Central Steering Board	2	1	1	0	0
York Business Pride	1	1			
York Joint Consultative Committee	3	1	1	0	1
<b>Joint Working - Other</b>					
Quality Bus Partnerships	2	1	1	0	0
Ofsted Sub-Group	5	2	2	0	1
Energy Partnership Board	1	1			
The Energy Partnership	2	1	1	0	0
York-England.com*	1				
North Yorkshire Fire & Rescue Authority	4	2	2	0	0
North Yorkshire Police Authority	2	1	1	0	0
Early Years and Extended Schools Partnership	2	1	1	0	0
York Tourism Partnership "Visit York" *	3	1	1	0	1
Valuing People Partnership Board*	1				
York Compact Group	2	1	1	0	0
Schools Forum	2	1	1	0	0
LEA Admission Forum	2	1	1	0	0
The Derwenthorpe Partnership Forum	4	1	2	0	1
Supporting People Commissioning Body & Core Strategy Group	1	1	1		
<b>Member Champions**</b>					
Older Peoples Champion			1		
Heritage Champion				1	
Cycling Champion					1
Information Management & E Government Champion		1			
Children & Young People's Champion			1		
Procurement, Efficiency & Risk Management Champion		1			
Energy Efficiency Champion		1			

*Note:*

*\*The allocation of seats on these bodies is subject to negotiations between the political groups.*

*\*\*The nomination of Member Champions is not subject to proportionality. The number and designation of these 'Champions' is a matter for consideration by the political groups, with the exception of the Older and Young Peoples Champions to which the Older Peoples Assembly and a collective of schools and younger people nominate.*

## Appointment of Chairs and Vice-Chairs of Committees, Sub-Committees and Working Groups 2008/2009

<b>Executive Function</b>	<b>Chair</b>	<b>Vice - Chair</b>
Executive	Waller	Runciman
Staffing Matters & Urgency Committee	Waller	Runciman
Strategic Policy Panel	Waller	Runciman
Shadow Executive	Scott	Potter

<b>Executive Member Advisory Panel</b>	<b>Chair</b>	<b>Vice – Chair</b>
Corporate Services	Healey	Pierce
City Strategy	Gillies	D'Agorne
Children & Young People's Services	Funnell	Brooks
Housing & Adult Social Services	Sunderland	Bowgett
Neighbourhood Services	Bowgett	Ayre
Leisure Culture & Social Inclusion	Crisp	Healey

<b>Quasi-Judicial/Regulatory Function</b>	<b>Chair</b>	<b>Vice – Chair</b>
Planning Committee	Watson R	Potter
East Area Planning Sub-Committee	Moore	Cregan
West & City Centre Area Planning Sub-Committee	Horton	Galloway Sue
Standards Committee	Mrs C Bainton (Independent Member)	Horton
Independent Members Appointment Panel (Standards) *		
Audit & Governance Committee	Pierce	Brooks
Licensing & Regulatory Committee	Gillies	Moore
Gambling & Licensing Acts Committee	Alexander	Wiseman
Corporate Appeals Panel *		
Housing Appeals Panel *		
Education Appeals Panel *		
Environment Appeals Panel *		

\* Chair to be elected at each meeting of the Panel.

<b>Scrutiny Functions</b>	<b>Chair</b>	<b>Vice - Chair</b>
Scrutiny Management Committee	Galvin	Blanchard
Education Scrutiny Committee	Aspden	Brooks
Health Scrutiny Committee	Fraser	Ayre
'Cultural Quarter' Ad-Hoc Scrutiny Committee *		
Traffic Congestion Ad-Hoc Scrutiny Committee *		
Barbican Ad Hoc Scrutiny Committee		

\* Chairs to be determined by Scrutiny Management Committee

<b>Executive Working Groups</b>	<b>Chair</b>	<b>Vice - Chair</b>
Social Inclusion Working Group	Vassie	Looker
Local Development Framework Working Group	Galloway Steve	Potter
Young People's Working Group	Blanchard	Runciman
Admin Accommodation Working Group		



## City of York Council Committees, Sub-Committees, Working Groups and Partnership Bodies 2008/2009

### Executive Functions

#### Staffing Matters and Urgency Committee (5)

Liberal Democrat	(2)	Runciman	(Vice Chair)
		Waller	(Chair)
		Jamieson-Ball	Substitute
		Reid	Substitute
Labour	(2)	Potter	
		Scott	
		Horton	Substitute
		Looker	Substitute
Conservative	(1)	Gillies	
		Hudson	Substitute
		Watt	Substitute

## Strategic Policy Panel (11)

Liberal Democrat	(5)	Galloway Steve	
		Galloway Sue	
		Jamieson-Ball	
		Runciman	(Vice Chair)
		Waller	(Chair)
		Reid	Substitute
		Vassie	Substitute
		Orrell	Substitute
		Hyman	Substitute
Labour	(4)	Looker	
		Potter	
		Scott	
		Simpson-Laing	
		Gunnell	Substitute
		Merrett	Substitute
		King	Substitute
Conservative	(1)	Gillies	
		Healey	Substitute
		Hudson	Substitute
Green	(1)	Taylor	
		D'Agorne	Substitute

## Executive Member Advisory Panels

## Corporate Services Advisory Panel (5)

Liberal Democrat	(2)	Jamieson-Ball	
		Moore	
		Morley	Substitute
		Kirk	Substitute
Labour	(2)	Gunnell	
		Pierce	(Vice-Chair)
		King	Substitute
		Blanchard	Substitute
Conservative	(1)	Healey	(Chair)
		Galvin	Substitute
		Brooks	Substitute

## City Strategy Advisory Panel (8)

Liberal Democrat	(3)	Galloway Steve	
		Hyman	
		Waller	
		Holvey	Substitute
		Moore	Substitute
Labour	(3)	Scott	
		Potter	
		Cregan	
		Simpson Laing	Substitute
		Crisp	Substitute
Conservative	(1)	Gillies	(Chair)
		Hudson	Substitute
		Healey	Substitute
Green	(1)	D'Agorne	(Vice-Chair)
		Taylor	Substitute

## Children and Young People's Services Advisory Panel (8)

Liberal Democrat	(3)	Runciman	
		Watson R	
		Waudby	
		Aspden	Substitute
		Orrell	Substitute
Labour	(3)	Merrett	
		Funnell	(Chair)
		Gunnell	
			Looker
		Bowgett	Substitute
Conservative	(1)	Brooks	(Vice-Chair)
		Healey	Substitute
		Watt	Substitute
Green	(1)	D'Agorne	
		Taylor	Substitute

## STATUTORY CO-OPTED MEMBERS

Mr J Bailey	Parent Governor Representative
Vacancy	Catholic Representative
Vacancy	Parent Governor Representative
Dr D Sellick	Church of England Representative

## NON-STATUTORY CO-OPTED MEMBERS

Ms F Barclay	Teacher Representative
Mrs A Burn	Headteacher Representative
Mrs J Ellis	Governor Representative
Dr A Birkinshaw	Further Education Representative
Ms B Reagan	Teacher Representative
Mr M Thomas	Teacher Representative

## Housing and Adult Social Services Advisory Panel (8)

Liberal Democrat	(3)	Galloway Sue Morley Sunderland	(Chair)
		Hogg	Substitute
		Aspden	Substitute
Labour	(3)	Bowgett Horton Simpson-Laing	(Vice-Chair)
		Douglas	Substitute
		Funnell	Substitute
Conservative	(1)	Wiseman	
		Brooks	Substitute
		Galvin	Substitute
Green	(1)	Taylor	
		D'Agorne	Substitute
Co-opted Members			
Mrs Mildred Grundy		Co-opted Non-Statutory Member	
Ms Pat Homes		Co-opted Non-Statutory Member	

## Neighbourhood Services Advisory Panel (8)

Liberal Democrat	(3)	Ayre	(Vice-Chair)
		Holvey	
		Reid	
		Firth	Substitute
		Hyman	Substitute
Labour	(3)	Bowgett	(Chair)
		Crisp	
		King	
		Douglas	Substitute
		Scott	Substitute
Conservative	(1)	Watt	
		Galvin	Substitute
		Brooks	Substitute
Green	(1)	Taylor	
		D'Agorne	Substitute

## Leisure, Culture and Social Inclusion Advisory Panel (5)

Liberal Democrat	(2)	Hogg	
		Vassie	
		Orrell	Substitute
		Sunderland	Substitute
Labour	(2)	Crisp	(Chair)
		Looker	
		Douglas	Substitute
		Blanchard	Substitute
Conservative	(1)	Healey	(Vice-Chair)
		Brooks	Substitute
		Wiseman	Substitute



## Quasi-Judicial/Regulatory Function

## Planning Committee (16)

Liberal Democrat	(6)	Firth	
		Jamieson-Ball	
		Moore	
		Reid	
		Vassie	
		Watson Richard	(Chair)
		Orrell	Substitute
		Hyman	Substitute
		Morley	Substitute
Labour	(6)	Crisp	
		Funnell	
		Horton	
		Pierce	
		Potter	(Vice-Chair)
		Simpson-Laing	
		King	Substitute
		Looker	Substitute
		Blanchard	Substitute
Conservative	(3)	Galvin	
		Hudson	
		Wiseman	
		Gillies	Substitute
		Brooks	Substitute
Green	(1)	D'Agorne	
		Taylor	Substitute

## East Area Planning Sub-Committee (10)

Liberal Democrat	(4)	Hyman		
		Moore	(Chair)	
		Orrell		
		Waudby		
			Watson Richard	Substitute
			Morley	Substitute
			Jamieson-Ball	Substitute
Labour	(4)	Cregan	(Vice-Chair)	
		Douglas		
		Funnell		
		King		
			Potter	Substitute
			Pierce	Substitute
		Blanchard	Substitute	
Conservative	(1)	Wiseman		
		Brooks	Substitute	
		Watt	Substitute	
Green	(1)	Taylor		
		D'Agorne	Substitute	

## West &amp; City Centre Area Planning Sub-Committee (9)

Liberal Democrat	(4)	Galloway Steve	
		Galloway Sue	(Vice-Chair)
		Reid	
		Sunderland	
		Moore	Substitute
		Holvey	Substitute
Labour	(3)	Waller	Substitute
		Crisp	
		Horton	(Chair)
		Looker	
Conservative	(2)	Simpson-Laing	Substitute
		Bowgett	Substitute
		Galvin	
		Gillies	
		Wiseman	Substitute
		Healey	Substitute

## Standards Committee (4)

To comprise:	4	Elected Members as follows (1 to be Vice-Chair)	
Liberal Democrat	(1)	Waudby	
		Kirk	Substitute
		Watson R	Substitute
Labour	(1)	Horton	(Vice-Chair)
		Crisp	Substitute
		Scott	Substitute
Conservative	(1)	Hudson	
		Watt	Substitute
		Galvin	Substitute
Green	(1)	D'Agorne	
		Taylor	Substitute
	1	Ms C Bainton (Independent Chair)	
	1	Vacancy (Independent Member)	
	1	Vacancy (Independent Member)	
	1	Vacancy (Independent Member)	
	1	Cllr D Crawford (Parish Council Member)	
	1	Cllr B J Mellors (Parish Council Member)	
	1	Cllr D Forster (Parish Council Member)	

## Independent Members' Appointment Panel (Standards) (2)

Liberal Democrat	(1)	Waudby	
		Kirk	Substitute
		Watson R	Substitute
Labour	(1)	Potter	
		Fraser	Substitute
		Looker	Substitute

\* Chair to be elected when Panel meets

## Independent Remuneration Panel (4)

Roger Shenton			
Declan L G Hall		Inlogov	(Chair)
Susanne Gilbert		York Science Park	
Wendy Capelin		CPP Group	

## Audit and Governance Committee (7)

Liberal Democrat	(3)	Kirk	
		Moore	
		Watson Richard	
		Firth	Substitute
		Hyman	Substitute
Labour	(3)	Crisp	
		Pierce	(Chair)
		Scott	
			Cregan
		Bowgett	Substitute
Conservative	(1)	Brooks	(Vice-Chair)
		Healey	Substitute
		Watt	Substitute

## Licensing and Regulatory Committee (5)

Liberal Democrat	(2)	Firth	
		Moore	(Vice-Chair)
		Orrell	Substitute
		Hogg	Substitute
Labour	(2)	Horton	
		Looker	
		Douglas	Substitute
		Fraser	Substitute
Conservative	(1)	Gillies	(Chair)
		Wiseman	Substitute
		Watt	Substitute

## Gambling and Licensing Acts Committee (15)

Liberal Democrat	(7)	Ayre Galloway Sue Hyman Moore Orrell Reid Runciman	
Labour	(5)	Alexander Cregan Funnell Horton Merrett	(Chair)
Conservative	(1)	Wiseman	(Vice-Chair)
Green	(2)	D'Agorne Taylor	



## Appeals Panels

### Corporate Appeals Panel (3)

Liberal Democrat	(1)	Galloway Sue	
		Firth	Substitute
		Hyman	Substitute
Labour	(1)	Fraser	
		Crisp	Substitute
		Potter	Substitute
Conservative	(1)	Galvin	
		Healey	Substitute
		Brooks	Substitute

### Housing Appeals Panel (3)

Liberal Democrat	(1)	Morley	
		Jamieson-Ball	Substitute
		Waller	Substitute
Labour	(1)	Simpson-Laing	
		Horton	Substitute
		Bowgett	Substitute
Conservative	(1)	Watt	
		Gillies	Substitute
		Wiseman	Substitute

## Education Appeals Panel (3)

Liberal Democrat	(1)	Watson Richard	
		Orrell	Substitute
		Aspden	Substitute
Labour	(1)	Blanchard	
		Looker	Substitute
		Douglas	Substitute
Conservative	(1)	Brooks	
		Hudson	Substitute
		Healey	Substitute

## Environment Appeals Panel (3)

Liberal Democrat	(1)	Moore	
		Runciman	Substitute
		Galloway Sue	Substitute
Labour	(1)	King	
		Potter	Substitute
		Bowgett	Substitute
Conservative	(1)	Galvin	
		Wiseman	Substitute
		Gillies	Substitute

## School Admission Appeals Panellists

Christine Burt

Jenny Caldwell

Joyce Clarke

A R Cook

Michael Daly

Ian Dolben

Pauline Ensor

Valerie Foote

Christine Hanby

Colette Haynes

Jill Hetherton

R A Hewitt

Ron Humphrys

Malcolm Hutton

Keith Jacklin

Alison Jewitt

Philip Johnston

Trevor Langton

Olwen Petrie

Roger Shenton

Jill Thompson

Joan Visick

Alison Yarrow

## Scrutiny Functions

## Scrutiny Management Committee (8)

Liberal Democrat	(3)	Aspden	
		Watson R	
		Waudby	
		Moore	Substitute
		Hyman	Substitute
Labour	(3)	Blanchard	(Vice-Chair)
		Scott	
		Simpson-Laing	
		Funnell	Substitute
		Fraser	Substitute
Conservative	(1)	Galvin	(Chair)
		Hudson	Substitute
		Watt	Substitute
Green	(1)	Taylor	
		D'Agorne	Substitute

## Education Scrutiny Committee (7)

Liberal Democrat	(3)	Aspden Hyman Morley	(Chair)
		Holvey Firth	Substitute Substitute
Labour	(3)	Merrett Blanchard Funnell	
		Bowgett Looker	Substitute Substitute
Conservative	(1)	Brooks	(Vice-Chair)
		Wiseman Healey	Substitute Substitute

## Co-opted Members

Mr John Bailey	Parent Governor Representative
Vacancy	Parent Governor Representative
Dr D Sellick	Church of England Representative
Vacancy	Catholic Representative

## Health Scrutiny Committee (7)

Liberal Democrat	(3)	Ayre	
		Moore	
		Sunderland	
		Firth	Substitute
		Hogg	Substitute
Labour	(3)	Alexander	
		Douglas	
		Fraser	(Chair)
		Simpson-Laing	Substitute
		Scott	Substitute
Conservative	(1)	Wiseman	
		Gillies	Substitute
		Watt	Substitute

## Traffic Congestion Ad-Hoc Scrutiny Committee (7)

Liberal Democrat	(3)	Holvey	
		Moore	
		Morley	
		Watson Richard	Substitute
		Kirk	Substitute
Labour	(3)	Merrett	(Chair)
		Pierce	
		Simpson-Laing	
		Potter	Substitute
		Alexander	Substitute
Conservative	(1)	Hudson	(Vice-Chair)
		Healey	Substitute
		Brooks	Substitute

**Non-Voting Co-Optees**

Mike Smith	Emeritus Professor in the Department of Mathematics, University of York
Matthew Page	Institute of Transport Studies, Univ. of Leeds

\* Constitutionally, Chair and Membership are to be determined by Scrutiny Management Committee in June. Nominations are included above for completeness.

## “Cultural Quarter” Ad-hoc Scrutiny Committee (6)

Liberal Democrat	(2)	Hogg Hyman	
		Aspden	Substitute
Labour	(2)	Crisp Funnell	
		Looker	Substitute
Conservative	(1)	Galvin	
		Brooks	Substitute
Green	(1)	Taylor	(Chair)
		D’Agorne	Substitute

\* Constitutionally, Chair and Membership are to be determined by Scrutiny Management Committee in June. Nominations are included above for completeness.



## Barbican Ad-Hoc Scrutiny Committee (6)

Liberal Democrat	(2)	Firth Morley	
		Ayre	Substitute
Labour	(2)	Looker King	(Chair)
		Scott	Substitute
Conservative	(1)	Watt	
		Hudson	Substitute
Green (Non-Voting Co- opted Member)	(1)	Taylor	
		D'Agorne	Substitute

\* Constitutionally, Chair and Membership are to be determined by Scrutiny Management Committee in June. Nominations are included above for completeness.

## Appointments Panels

### Appointments Panel – Head of Human Resources

Liberal Democrat (1) Waller

Labour (1) Gunnell

Conservative (1) Gillies

### Appointments Panel - Head of Audit

Liberal Democrat (1) Jamieson-Ball

Labour (1) tbc

Conservative (1) Healey

## Social Inclusion Working Group (5)

Liberal Democrat	(2)	Aspden Vassie	(Chair)
		Galloway Sue Sunderland	Substitute Substitute
Labour	(2)	Gunnell Looker	(Vice Chair)
		Potter Simpson-Laing	Substitute Substitute
Conservative	(1)	Healey	
		Watt Brooks	Substitute Substitute

## Community Group Non-voting Co-opted Members

Jack Archer	Older People
Sue Lister	Older People
Karen Roberts	Sexual Orientation
Peter Blackburn	Sexual Orientation
Rita Sanderson	Ethnicity
Daryoush Mazloum	Ethnicity
Jan Jauncey	York Interfaith
Paul Wordsworth	Churches Together in York
Lynn Jeffries	Disabled People's Forum

## Local Development Framework Working Group (10)

Liberal Democrat	(5)	Ayre	
		Galloway Steve	(Chair)
		Moore	
		Reid	
		Watson Richard	
		Jamieson-Ball	Substitute
		Morley	Substitute
		Waudby	Substitute
Labour	(3)	Merrett	
		Potter	(Vice-Chair)
		Simpson-Laing	
		Horton	Substitute
		Pierce	Substitute
Conservative	(1)	Watt	
		Brooks	Substitute
		Wiseman	Substitute
Green	(1)	D'Agorne	
		Taylor	Substitute

## Young People's Working Group (6)

Liberal Democrat	(3)	Ayre	
		Runciman	(Vice Chair)
		Vassie	
		Aspden	Substitute
		Holvey	Substitute
Labour	(3)	Blanchard	(Chair)
		Fraser	
		Looker	
		Scott	Substitute
		Douglas	Substitute

## Admin Accommodation Working Group (3)

Liberal Democrat	(1)	Waller
Labour	(1)	Scott
Conservative	(1)	Healey

## Joint Working – Strategic Partnerships

### Without Walls Partnership (3)

Liberal Democrat	(1)	Waller	
		Runciman	Substitute
Labour	(1)	Scott	
		Potter	Substitute
Conservative	(1)	Gillies	
		Galvin	Substitute

### Without Walls Partnership – Executive Delivery Board (1)

Liberal Democrat	(1)	Waller
------------------	-----	--------

### York Environment Partnership (1)

Liberal Democrat	(1)	Reid
------------------	-----	------

### Healthy City Board (3)

Liberal Democrat	(1)	Galloway Sue
Labour	(1)	Fraser
Conservative	(1)	Wiseman

### Economic Development Partnership Board (3)

Liberal Democrat (1) Waller

Labour (1) Scott

Conservative (1) Gillies

### Inclusive York Forum(2)

Liberal Democrat (1) Vassie

Labour (1) Scott

### Lifelong Learning Partnership Board (1)

Liberal Democrat Runciman

Labour Merrett

\* Allocation of seat subject to negotiation between political groups

### Safer York Partnership (1)

Liberal Democrat Waller

Labour Scott

\* Allocation of seat subject to negotiation between political groups

### York@Large (1)

Liberal Democrat (1) Vassie

**Active York (1)**

Liberal Democrat (1) Vassie

Labour Looker Substitute

**Yor OK Board (2)**

Liberal Democrat (1) Runciman

Aspden Substitute

Labour (1) Merrett

Funnell Substitute

**City Centre Partnership Board (3)**

Liberal Democrat (1) Waller

Labour (1) Gunnell

Conservative (1) Gillies

**York Central Steering Board (2)**

Liberal Democrat (1) Waller

Labour (1) Scott

**York Business Pride (1)**

Liberal Democrat (1) Galloway Sue



## York Joint Consultative Committee (3)

Liberal Democrat	(1)	Jamieson-Ball Galloway Steve	Substitute
------------------	-----	---------------------------------	------------

Labour	(1)	Fraser	
--------	-----	--------	--

Conservative	(1)	Gillies	
--------------	-----	---------	--

## Joint Working – Other

## Quality Bus Partnerships (2)

Liberal Democrat	(1)	Galloway Steve	
------------------	-----	----------------	--

Labour	(1)	Potter	
--------	-----	--------	--

## Ofsted Sub-Group (5)

Liberal Democrat	(2)	Firth Runciman	
------------------	-----	-------------------	--

		Waudby	Substitute
--	--	--------	------------

		Aspden	Substitute
--	--	--------	------------

Labour	(2)	Alexander Merrett	
--------	-----	----------------------	--

		Looker	Substitute
--	--	--------	------------

		Potter	Substitute
--	--	--------	------------

Conservative	(1)	Brooks	
--------------	-----	--------	--

		Wiseman	Substitute
--	--	---------	------------

## Energy Partnership Board (1)

Liberal Democrat	(1)	Orrell	
------------------	-----	--------	--

Labour		King	Substitute
--------	--	------	------------

## The Energy Partnership (2)

(under the parent not for profit company of the Ryedale Energy Conservation Group (RECG))

Liberal Democrat	(1)	Waller	
------------------	-----	--------	--

Labour	(1)	King	
--------	-----	------	--

## York – England.com (1)

Liberal Democrat	(1)	Hyman	
------------------	-----	-------	--

\* Allocation of seat subject to negotiation between political groups.

## North Yorkshire Fire and Rescue Authority (4)

Liberal Democrat	(2)	Hyman Morley	
------------------	-----	-----------------	--

		Reid	Substitute
--	--	------	------------

		Aspden	Substitute
--	--	--------	------------

Labour	(2)	Douglas King	
--------	-----	-----------------	--

		Horton	Substitute
--	--	--------	------------

		Pierce	Substitute
--	--	--------	------------

## North Yorkshire Police Authority (2)

Liberal Democrat (1) Orrell

Labour (1) Potter

## Early Years and Extended Schools Partnership (2)

Liberal Democrat (1) Runciman

Labour (1) Merrett

## York Tourism Partnership “Visit York” (3) (formerly First Stop York)

Liberal Democrat (1) Hogg

Labour (1) Looker

Conservative (1) Gillies

## Valuing People Partnership Board (1)

Liberal Democrat Vassie

Labour Simpson-Laing

\*Allocation of seat subject to negotiation between political groups.

## York Compact Group (2)

Liberal Democrat (1) Vassie

Labour (1) Looker

## Schools Forum (2)

Liberal Democrat (1) Runciman

Labour (1) Merrett

## LEA Admission Forum (2)

Liberal Democrat (1) Runciman

Labour (1) Merrett

## The Derwenthorpe Partnership Forum (4)

Liberal Democrat (1) Morley

Galloway Sue

Substitute

Labour (2) Cregan  
Potter

Funnell

Substitute

Pierce

Substitute

Conservative (1) Wiseman

Brooks

Substitute

Supporting People Commissioning Body & Core Strategy Group  
(2)

Labour (1) Simpson-Laing

Liberal Democrat (1) Galloway Sue

## Member Champions (7)

Older People's Champion	tbc (Lab)
Information Management and E-Government Champion	Ayre
Children and Young People's Champion	Alexander
Efficiency, Procurement and Risk Management Champion	Holvey
Energy Efficiency Champion	Vassie
Heritage Champion	Taylor
Cycling Champion	Watt

This page is intentionally left blank

**CITY OF YORK COUNCIL  
APPOINTMENTS TO OUTSIDE ORGANISATIONS 2008/09**

**CATEGORIES**

- 1 Agreed Member Level Appointment - At least one to be Executive Member.  
 2 Bodies where at least one Council appointee should be a Member.  
 3a Appointments which may be made at Member or Community Rep Level.  
 3b The Council not longer has any formal appointments on the following Bodies but details are included for information purposes only where Community representation (including existing or former Members of the Council) has been notified to us.  
 4 Bodies where any Member representation should be a Ward or Community member.

\* Council Member places on various internal drainage boards allocated by Council to nominated Parish Council representatives

Organisation	Appointee(s)	Category	Total No of Members	Lib Dem	Lab	Con	Green	Total No of Reps Entitled	Member	Community Reps
Acaster Internal Drainage Board	Mr D Livesley Mr G Smith (Parish Council)	3b						6		6
Adoption Panel	Morley	2	1							
Appleton Roebuck and Copmanthorpe Internal Drainage Board	Mrs S Ventruss (3 year appointment)	3b						6	2	4
Arlish and Chambers Charity (W)	Mr J Archer and Mr H Briggs	3b						3		
Association of North Yorkshire Councils	Waller (Sub-Runciman)	1	1							
Bell Farm Adventure Playground	Funnell, Potter	3b						2	2	
Bell Farm Social Hall Management Committee	Potter, Funnell	4						3	2	1
Bookstart Steering Group	Runciman	2	1							
Burton Stone Community Centre	King, Douglas Sub; Scott	4						3	2	
Charity of Jane Wright	Mrs D Cooper, Miss A Sains	3b						2		2
Christ Parish Estate Charity	Parish Councillor Fenton	3b								1
City Region Transport Panel (new appt to be ratified at Ann Council)	SF Galloway	1	1							
Clifton Backies Management Board	Moore, Waudby, Douglas, Scott <i>(subject to confirmation from Clifton</i>	4						3	3	

**CITY OF YORK COUNCIL  
APPOINTMENTS TO OUTSIDE ORGANISATIONS 2008/09**

**CATEGORIES**

- 1 Agreed Member Level Appointment - At least one to be Executive Member.  
 2 Bodies where at least one Council appointee should be a Member.  
 3a Appointments which may be made at Member or Community Rep Level.  
 3b The Council not longer has any formal appointments on the following Bodies but details are included for information purposes only where Community representation (including existing or former Members of the Council) has been notified to us.  
 4 Bodies where any Member representation should be a Ward or Community member.

\* Council Member places on various internal drainage boards allocated by Council to nominated Parish Council representatives

Organisation	Appointee(s)	Category	Total No of Members	Lib Dem	Lab	Con	Green	Total No of Reps Entitled	Member	Community Reps
	<i>Backies Management Board that they will accept 4 Members)</i> Mr Brian Williams, Parks & Open Spaces Officer									
Clifton Moor Residents Association	Waudby	4						1	1	
Consultation Meetings with looked After Children "Show Me That I Matter"	Runciman, Merrett Sub: Aspden	2	2	1	1					
East Yorkshire Valuation Tribunal	Mr M Campbell, Mr A Webster, Mr P J Bartle (6 year appointment - 31 March 2006) Mr P J Bartle (31/03/09)	3a						7	2	5
Foss Internal Drainage Board	Wiseman Mr D Crossley, Mr AS Richardson, Mr P Norman, Mr D Atlay, Mr R Jones, (Parish Councillors) <i>Vacancies</i>	3b						14	11*	2
Fostering & Sharing Care Panel	Runciman	2	1							
Foxwood Community Centre	Galloway Sue	4						1	1	
Friends of St Nicholas Fields	Pierce (3 year appointment)	4						1	1	
Fulford Parish Council Cemetery Committee	Aspden	4						1	1	
Glen Family Resource Centre (The) - <i>Members' Quarterly Visits to Children's'</i>	Blanchard, Galloway Sue	2	3	1	1					



**CITY OF YORK COUNCIL  
APPOINTMENTS TO OUTSIDE ORGANISATIONS 2008/09**

**CATEGORIES**

- 1 Agreed Member Level Appointment - At least one to be Executive Member.
- 2 Bodies where at least one Council appointee should be a Member.
- 3a Appointments which may be made at Member or Community Rep Level.
- 3b The Council not longer has any formal appointments on the following Bodies but details are included for information purposes only where Community representation (including existing or former Members of the Council) has been notified to us.
- 4 Bodies where any Member representation should be a Ward or Community member.

\* Council Member places on various internal drainage boards allocated by Council to nominated Parish Council representatives

Organisation	Appointee(s)	Category	Total No of Members	Lib Dem	Lab	Con	Green	Total No of Reps Entitled	Member	Community Reps
<i>Homes</i>										
Heslington East Community Forum	Aspden, Morley, Taylor, Jamieson-Ball, Pierce	4						No set figure	3	
Hull University Court (Class 3)	Labour - not appointing LD – not appointing	2	2							
Hull University Court (Class 6)	B Watson (Ex Officio – as Lord Mayor)	2	1							

**CITY OF YORK COUNCIL  
APPOINTMENTS TO OUTSIDE ORGANISATIONS 2008/09**

**CATEGORIES**

- 1 Agreed Member Level Appointment - At least one to be Executive Member.  
 2 Bodies where at least one Council appointee should be a Member.  
 3a Appointments which may be made at Member or Community Rep Level.  
 3b The Council not longer has any formal appointments on the following Bodies but details are included for information purposes only where Community representation (including existing or former Members of the Council) has been notified to us.  
 4 Bodies where any Member representation should be a Ward or Community member.

\* Council Member places on various internal drainage boards allocated by Council to nominated Parish Council representatives

Organisation	Appointee(s)	Category	Total No of Members	Lib Dem	Lab	Con	Green	Total No of Reps Entitled	Member	Community Reps
Kyle and Upper Ouse Internal Drainage Board	Moore, Waudby Cllr R Binns, Mrs Celia Rutt, Mr Philip Proctor, (Parish Councillors) 1 Nomination required to replace the above	3b						8	7*	1
Leeman Road Millennium Green Trust	Crisp, Bowgett	4						2	2	
Local Access Forum	Looker, Moore	2	2	1	1					
Local Government Association – General Assembly	Waller, Orrell LD Sub: Jamieson-Ball Potter, Scott Subs: Fraser	1	4	2	2					
Local Government Association – Rural Commission	Vassie Looker	1	2	1	1					
Local Government Association – Urban Commission	Reid King	1	2	1	1					
Local Government Information Unit	Runciman, Scott LD Sub: Vassie Sub: Potter	1	2	1	1					

**CITY OF YORK COUNCIL  
APPOINTMENTS TO OUTSIDE ORGANISATIONS 2008/09**

**CATEGORIES**

- 1 Agreed Member Level Appointment - At least one to be Executive Member.  
 2 Bodies where at least one Council appointee should be a Member.  
 3a Appointments which may be made at Member or Community Rep Level.  
 3b The Council not longer has any formal appointments on the following Bodies but details are included for information purposes only where Community representation (including existing or former Members of the Council) has been notified to us.  
 4 Bodies where any Member representation should be a Ward or Community member.

\* Council Member places on various internal drainage boards allocated by Council to nominated Parish Council representatives

Organisation	Appointee(s)	Category	Total No of Members	Lib Dem	Lab	Con	Green	Total No of Reps Entitled	Member	Community Reps
Local Government Yorkshire and Humber Employers Committee *Sub group of Local Government Yorkshire and Humber	Firth, Fraser	2	2	1	1					
Local Government Yorkshire and Humber Executive Board	Waller, Runciman LD Sub: Jamieson-Ball Scott, Potter Sub: Fraser	1	4	2	2					
Local Government Yorkshire and Humber Regional Improvement & Efficiency Partnership (New from June 2008)	Jamison Ball Sub: Ayre	4	4	4						
Marston Moor Internal Drainage Board		3b						10	2	8
Menwith Hill Forum	Scott Sub: D'Agorne (Subject to clarification of number of members on the Forum)	2	1							
Micklegate York Charitable Trust	Gunnell	4						1		
National Parking Adjudication Service Joint Committee (NPAS)	Galloway, Steve	1	1							
North Yorkshire Culture	Vassie	1	1							
North Yorkshire Housing Partnership	Galloway, Sue	1	1							
Ouse and Derwent Internal Drainage Board	D'Agorne	3b						7	7*	

**CITY OF YORK COUNCIL  
APPOINTMENTS TO OUTSIDE ORGANISATIONS 2008/09**

**CATEGORIES**

- 1 Agreed Member Level Appointment - At least one to be Executive Member.  
 2 Bodies where at least one Council appointee should be a Member.  
 3a Appointments which may be made at Member or Community Rep Level.  
 3b The Council not longer has any formal appointments on the following Bodies but details are included for information purposes only where Community representation (including existing or former Members of the Council) has been notified to us.  
 4 Bodies where any Member representation should be a Ward or Community member.

\* Council Member places on various internal drainage boards allocated by Council to nominated Parish Council representatives

Organisation	Appointee(s)	Category	Total No of Members	Lib Dem	Lab	Con	Green	Total No of Reps Entitled	Member	Community Reps
	Mr R W Bramley (Parish Councillor) (3 year appointment)									
Peasholme Centre Management Committee	Galloway Sue, Simpson-Laing	2	2	1	1					
Pension Fund Sub-Committee	Jamieson-Ball Sub: Gunnell	1	1							
Portage Steering Group	Runciman	1	1							
Regional Planning Forum	Galloway Steve Sub: Watson R	1	1							
Regional Tourism Council (Administered by Yorkshire Tourist Board)	Looker	2	1							
Regional Transport Forum	Galloway Steve Sub: Potter	2	1							
Reserve Forces & Cadets Association for Yorkshire & the Humber	Kirk	2	1							
Ryedale Energy Conservation Group	Waller, Pierce	2	2	1	1					
Ryedale Housing Association Board	R Watson (to Sept AGM)	2	1							
SACRE (Standing Advisory Conference on Religious Education)	Firth, Runciman, Funnell, Pierce	2	4	2	2					

**CITY OF YORK COUNCIL  
APPOINTMENTS TO OUTSIDE ORGANISATIONS 2008/09**

**CATEGORIES**

- 1 Agreed Member Level Appointment - At least one to be Executive Member.  
 2 Bodies where at least one Council appointee should be a Member.  
 3a Appointments which may be made at Member or Community Rep Level.  
 3b The Council not longer has any formal appointments on the following Bodies but details are included for information purposes only where Community representation (including existing or former Members of the Council) has been notified to us.  
 4 Bodies where any Member representation should be a Ward or Community member.

\* Council Member places on various internal drainage boards allocated by Council to nominated Parish Council representatives

Organisation	Appointee(s)	Category	Total No of Members	Lib Dem	Lab	Con	Green	Total No of Reps Entitled	Member	Community Reps
Science City York	Hyman	2	1							
Selby Coalfield Joint Consultative Committee	Vassie	4						1	1	
Shopmobility York	Firth	2	1							
SNAPPY	Aspden, Douglas	3a						2	2	
St Michael le Belfrey with St Wilfred Charities for the Poor	Moore	3a						1	1	
St Wilfred's Eleemosynary Charity	Waller, B Watson	2	2	1	1					
Swimming Pool Steering Group (University of York – City Partnership)	Vassie (Portfolio Member) Looker (Shadow Portfolio Member) Jamieson-Ball (Ward Member)	1	3	2	1					
Tang Hall Community Centre	Blanchard	4						2	2	
University of York Court	Executive Member for Children and Young People's Services tbc (Ex officio member)	2	1							
Waste Management Members Joint Advisory Group (MEMJAG) (Joint City of York Council & NYCC)	Potter Galloway Steve Reid	2	3	2	1					
19 Wenlock Terrace - <i>Members' Quarterly Visits to Children's Homes</i>	Aspden Merrett	2	2	1	1					

**CITY OF YORK COUNCIL  
APPOINTMENTS TO OUTSIDE ORGANISATIONS 2008/09**

**CATEGORIES**

- 1 Agreed Member Level Appointment - At least one to be Executive Member.  
 2 Bodies where at least one Council appointee should be a Member.  
 3a Appointments which may be made at Member or Community Rep Level.  
 3b The Council not longer has any formal appointments on the following Bodies but details are included for information purposes only where Community representation (including existing or former Members of the Council) has been notified to us.  
 4 Bodies where any Member representation should be a Ward or Community member.

\* Council Member places on various internal drainage boards allocated by Council to nominated Parish Council representatives

Organisation	Appointee(s)	Category	Total No of Members	Lib Dem	Lab	Con	Green	Total No of Reps Entitled	Member	Community Reps
York Advice Service Partnership (YASP)	Morley	2	1							
York and District Citizen's Advice Bureau	Ayre	2	1							
York & North Yorkshire Development Board	Waller Scott	1	2	1	1					
York and North Yorkshire Playing Fields Association	Looker, Moore	2	2	1	1					
York & North Yorkshire Waste Management Partnership	Galloway Steve	1	1							
York Business Development Ltd	Gunnell, Moore	2	2	1	1					
York Business School Ltd	Jamieson-Ball	2	1							
York City Charities	Gunnell Mr H Briggs	3b								2
York College Governing Body	Runciman (4 year term of office)	2	1							
York Community Legal Advice Partnership Steering Group	Morley	2	1							
York CVS Board of Trustees	Vassie Fraser	3a						2	2	
York Environment Forum (LSP)	Reid, LD Vacancy King, Potter	2	6	2	2	1	1			

**CITY OF YORK COUNCIL  
APPOINTMENTS TO OUTSIDE ORGANISATIONS 2008/09**

**CATEGORIES**

- 1 Agreed Member Level Appointment - At least one to be Executive Member.  
 2 Bodies where at least one Council appointee should be a Member.  
 3a Appointments which may be made at Member or Community Rep Level.  
 3b The Council no longer has any formal appointments on the following Bodies but details are included for information purposes only where Community representation (including existing or former Members of the Council) has been notified to us.  
 4 Bodies where any Member representation should be a Ward or Community member.

\* Council Member places on various internal drainage boards allocated by Council to nominated Parish Council representatives

Organisation	Appointee(s)	Category	Total No of Members	Lib Dem	Lab	Con	Green	Total No of Reps Entitled	Member	Community Reps
	Watt, D'Agorne									
York Fairtrade City Steering Group	Waller	1	1							
York Museums Trust	Hogg, Looker	2	2	1	1					
York NHS Foundation Trust – Members Council	Fraser, Kirk, Wiseman	2	3	1	1	1				
York Science Park (Innovation Centre) Ltd	Jamieson-Ball	2	1							
York St John University	Pierce (3 year appointment)	4						1	1	
York Theatre Royal Board (nos of CYC reps reduced to 3 from 21/11/06)	Runciman, Kirk King	2	3	2	1					
York Wheels	Potter	3a						1	1	
Yorkshire and Humber Assembly (but defunct shortly)	Waller	1	1							
Yorkshire and Humberside Regional Housing Forum (but defunct shortly)	Galloway Sue	2	1	1						
Yorkshire and Humberside Pollution Advisory Committee	Reid	2	1							
Yorkshire Purchasing Organisation	Horton, Moore	2	2	1	1					

**CITY OF YORK COUNCIL  
APPOINTMENTS TO OUTSIDE ORGANISATIONS 2008/09**

**CATEGORIES**

- 1 Agreed Member Level Appointment - At least one to be Executive Member.  
 2 Bodies where at least one Council appointee should be a Member.  
 3a Appointments which may be made at Member or Community Rep Level.  
 3b The Council not longer has any formal appointments on the following Bodies but details are included for information purposes only where Community representation (including existing or former Members of the Council) has been notified to us.  
 4 Bodies where any Member representation should be a Ward or Community member.

\* Council Member places on various internal drainage boards allocated by Council to nominated Parish Council representatives

Organisation	Appointee(s)	Category	Total No of Members	Lib Dem	Lab	Con	Green	Total No of Reps Entitled	Member	Community Reps
Yorkshire Purchasing Organisation Disciplinary and Appeals Sub Committee	Moore, Horton <i>(subject to confirmation from YPO Disciplinary and Appeals Sub Committee that they will accept 2 Members)</i>	2	1							
Yorkshire Regional Flood Defence Committee (jointly with NYCC) † †Subject to confirmation with the outside body involved.	Waller	1	1							
Yorkshire Rural Community Council	Vassie	3a						1	1	
Yorventure Management Group	Reid	2	1							
Yorwaste	Reid	2	1							



## Annex C

## City of York Council Ward Committee Membership 2008/2009

<b>Ward Committee</b>	<b>Membership</b>
Acomb	Horton and Simpson-Laing
Bishopthorpe	Galvin
Clifton	Douglas, King and Scott
Derwent	Brooks
Dringhouses and Woodthorpe	Holvey, Reid and Sunderland
Fishergate	D'Agorne and Taylor
Fulford	Aspden
Guildhall	Looker and B Watson
Haxby and Wigginton	Firth, Hogg and R Watson
Heslington	Jamieson – Ball
Heworth	Blanchard, Funnell and Potter
Heworth Without	Ayre
Holgate	Alexander, Bowgett and Crisp
Hull Road	Cregan and Pierce
Huntington and New Earswick	Hyman, Orrell and Runciman
Micklegate	Fraser, Gunnell and Merrett
Osbaldwick	Morley
Rural West York	Gillies, Healey and Hudson
Skelton, Rawcliffe and Clifton Without	Moore, Watt and I Waudby
Strensall	Kirk and Wiseman
Westfield	Steve Galloway, Sue Galloway and Waller
Wheldrake	Vassie

This page is intentionally left blank

**STANDING LIST OF CONFERENCES 2008/09**

<b>Conferences</b>	<b>Member(s)</b>
Association of Directors of Social Services	Executive Member for Housing and Adult Social Services
Car Free Cities	Executive Member for City Strategy and Shadow Executive Member
CIPFA	Executive Member for Corporate Services and Shadow Executive Member
Cities for Cyclists	Executive Member for City Strategy and Shadow Executive Member
National Children & Adult Services Conference	Executive Member for Children's Services and Shadow Executive Member
North of England Education Conference	Executive Member for Children's Services and Shadow Executive Member
English Historic Towns Forum	Chair of Planning (or Vice Chair)
Institute of Environmental Health	Executive Member for Neighbourhood Services
Institute of Housing Conference	Executive Member for Housing and Adult Social Services
ISPAL	Executive Member for Leisure and Culture
Institute of Solid Waste Management	Executive Member for Neighbourhood Services
Institute of Trading Standards Administration	Executive Member for Neighbourhood Services
PLA (Public Libraries Association)	Executive Member for Leisure and Culture
Local Government Association and related conferences	nominated Council representatives on LGA

**STANDING LIST OF CONFERENCES 2008/09**

<b>Conferences</b>	<b>Member(s)</b>
LGA Annual Conference for Culture	Executive Member for Leisure & Culture
Local Government Information Unit and related conferences	nominated Council representative on LGIU and substitute
National Planning Forum	Chair of Planning (or Vice Chair)
National Society for Clean Air	Executive Member for Neighbourhood Services
PTRC (formerly Planning and Transport Research and Computation)	Executive Member for City Strategy
Regional Planning Conference	Chair of Planning (or Vice Chair)
Regional Transport Committee	Executive Member for City Strategy
Royal Town Planning Institute and Related Conferences	Chair of Planning (or Vice Chair)
Sustainable Cities	Executive Member for City Strategy and Shadow Executive Member
Town and Country Planning Association	Chair of Planning (or Vice Chair)